

AMERICAN RANGE

QUALITY COMMERCIAL COOKING EQUIPMENT

36" RANGE (WIDE OVEN)

GAS TYPE: NATURAL LP

STANDARD FEATURES

- Stainless Steel rugged exterior.
- 6" deep front Stainless Steel bullnose landing ledge/work space.
- 6" High Polished chrome adjustable steel legs.
- Heavy gauge welded frame construction.
- 32,000 BTU/hr. open burners, industry's highest.
- Polished glossy black knobs.
- One year limited warranty, parts and labor.

STANDARD OVEN

- Sturdy, welded front frame.
- Pull-off Stainless Steel door for easy cleaning.
- Thermostat controls temperature from 150°F to 500°F.
- One chrome plated oven rack. (Additional racks optional).
- Porcelain enamel finish inside oven bottom, sides, back, and door liner.
- Steel burner rated at 35,000 BTU/hr.
- 100% safety gas shut off.
- Matchless push button ignition to light a standing pilot.



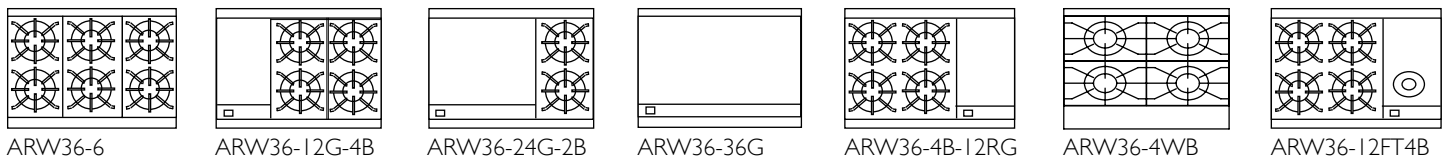
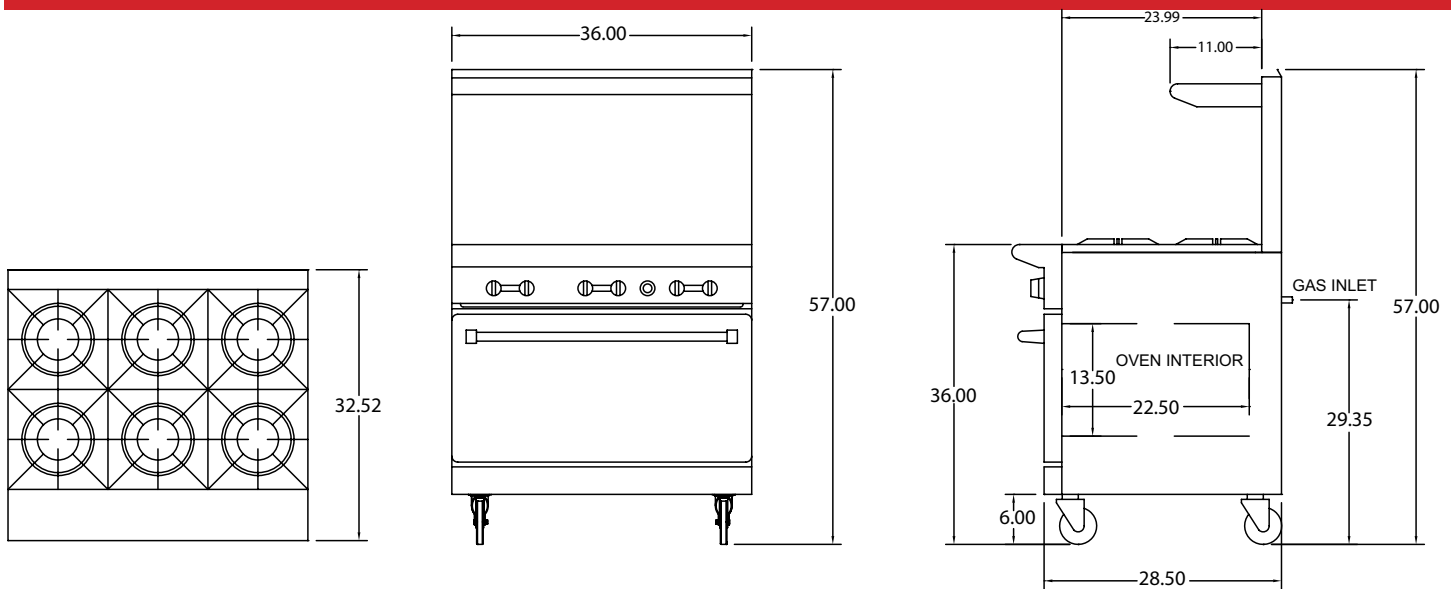
Model ARW36-6
Shown with optional oven and casters.

The Heavy Duty Restaurant Range Series by American Range was designed for continuous rugged use and performance. All the latest technology is incorporated to give you the best value for your money.

You need power? We give it to you with 32,000 BTU/hr. open burners, and 20,000 BTU/hr. griddle burners, something you normally see with institutional series ranges. All Stainless Steel exterior is a standard feature for longevity and easy cleaning. Quality, dependability and customer satisfaction make American Range the ultimate choice.



36" WIDE HEAVY DUTY RESTAURANT RANGE



36" WIDE RANGE (32" Wide Oven)

Model	Description	Total BTU	KW	Shipping Weight	Lbs.	Kg.
ARW36-6	6 Burners	227,000	67		420	191
ARW36-12G-4B	12" Griddle & 4 Burners	183,000	54		440	200
ARW36-24G-2B	24" Griddle & 2 Burners	139,000	41		450	205
ARW36-36G	36" Griddle	95,000	28		500	227
ARW36-4B-12RG	4 Burners & 12" Raised Griddle	183,000	54		525	239
ARW36-4WB	4 Open Wide Burners	163,000	48		420	191
ARW36-12FT-4B	12" French Top & 4 Burners	183,000	54		450	205

OPEN BURNERS

- Heavy duty sectioned cast iron top grates.
- Two piece, lift-off top, easy clean burners, rated at 32,000 BTU/hr. each.
- One standard pilot for each burner, for instant ignition.
- Removable full-width drip pan.

GRIDDLES

- Highly polished thick steel griddle plate.
- 3" (76) wide grease drawer.
- One steel burner every 12" (305), rated at 20,000 BTU/hr.
- Stainless Steel pilot for each burner for automatic ignition.
- Manual control valve for each burner.
- Stainless Steel spatula-width, grease trough with landing ledge.

RADIANT BROILER

- Heavy castings retain heat to minimize recovery time during peak periods.
- Heavy duty reversible top grates with integral runners direct grease to trough.
- Efficient top-ported burners rated at 15,000 BTU/hr. each with individual pilot and precision brass valves.

AVAILABLE OPTIONS

- 6" (152) stub back.
- Casters (set of 4).
- Additional chrome oven rack.
- Cabinet base.
- Thermostatic Control Griddle.
- Grooved griddle.
- Fish grate (only for radiant broiler).

GAS SUPPLY: 3/4" NPT Gas inlet. Manifold pressure is 5.0" W.C. for natural gas or 10.0" W.C. for propane gas. Specify type of gas and altitude if over 2000 feet.

CLEARANCES: For use only on non-combustible floors. Legs or casters are required, or 2" (51) overhang is required when curb mounted. Clearance from non-combustible walls is 0". When unit is placed next to combustible walls, clearances must exceed 12" (305) on sides, and 4" (102) from rear. Radiant broilers for non-combustible locations only.

American Range is a quality manufacturer of commercial cooking equipment. Because of continuing product improvements these specifications are subject to change without prior notice.



13592 Desmond St. Pacoima CA 91331
 T. 818.897.0808 F. 818.897.1670
 Toll Free: 888.753.9898
 www.americanrange.com