

AMERICAN RANGE®

A  Company

Project _____

Item # _____

Quantity _____

WOOD CHIP SMOKE BROILER

GAS TYPE: NATURAL LP



■ ARWCS-36

SMOKER FEATURES

- Two smoker boxes with heat resistant handles for peak smoke output.
- Each wood chip drawer features a dedicated burner.
- Smoke travels from five tubes evenly spaced under the grates near the food on the grill – optimizing uptake in flavor.
- Smoke discharges above broiler burners – so it's not incinerated before it meets the food!
- Wood drawers pulls out for easy ash removal.
- Two year limited warranty, parts and labor.

BROILER FEATURES

- Six individual controlled 15,000 BTU/hr. gas burners.
- Gas radiants distribute heat.
- Radiants are removable for easy cleaning.
- Full width stainless steel drip pan.
- Includes stainless steel spring loaded lift-up hood. (Easily removable for cleaning).
- Top grates are heavy duty cast iron.
- 14 gauge construction.



Model Shown ARWCS-36

Shown with stand and casters.

American Range Wood Chip Smoker Broiler, ARWCS-36 is a radiant broiler with cast iron grates and two smoke boxes. Six independent 15,000 BTU/hr. burners allows for precise heat adjustment. Two smoke boxes with independent controls. Use smoke box without burners for cold smoking.

Loading and unloading is easy – pull the chip tray out of the oven using the heat resistant handle – twist to safely discard ash into a safety can. Stainless steel spring loaded lift-up hood. All 14 gauge construction.



DESIGNED & BUILT IN USA
PROFESSIONAL COOKING EQUIPMENT

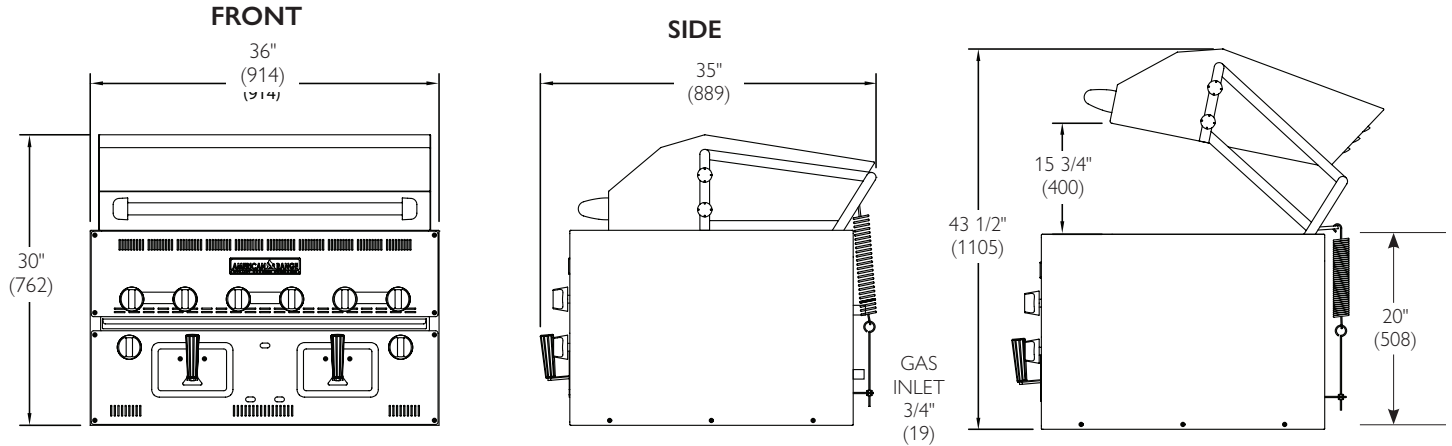
A70185 RevB 04202023

AMERICAN RANGE®

A  Company

13592 Desmond St Pacoima CA 91331
T. 818.897.0808 Toll Free: 888.753.9898
www.AmericanRange.com

PROFESSIONAL WOOD CHIP SMOKE BROILER



Model	Width (mm)	Depth (mm)	Height (mm)	Burners	Smoke Injectors	Total BTU	(kW)	Shipping Weight*		Optional Stainless Steel Stand		
								Lbs.	(kg)	Model	Lbs.	(kg)
ARWCS-36	36" (914)	35" (889)	43 1/2" (1105)	6	5	90,000	(26)	350	(159)	RWCSS-36	54	(25)



- Stainless steel spring loaded lift-up hood. (Easily removable for cleaning).



- Wood chip pull-out drawers with independent burner chamber and control.

Specify type of gas and altitude if over 2000 feet.

NATURAL GAS	MANIFOLD PRESSURE		MANIFOLD SIZE
	PROPANE GAS		
5.0" W.C.	10.0" W.C.	3/4" (19MM)	

NMFCODE: 25970-2 Class: 85

*Shipping weight includes packaging and is approximate.

CLEARANCES:

For use only on non-combustible floors. Legs or casters are required, or 2" (51) overhang is required when curb mounted. Clearance from non-combustible walls is 0". When unit is placed next to combustible walls, clearances must exceed 12" (305) from sides, and 4" (102) from rear.

American Range is a quality manufacturer of commercial cooking equipment. Because of continuing product improvements these specifications are subject to change without prior notice.



A70185 RevB 04202023



13592 Desmond St Pacoima CA 91331
T. 818.897.0808 Toll Free: 888.753.9898
www.AmericanRange.com