

AMERICAN RANGE®

A  Company

Project _____

Item # _____

Quantity _____

THERMOSTATIC/MANUAL GRIDDLE

GAS TYPE: NATURAL LP



THERMOSTATIC

ARTG-24-24 ARTG-36-24 ARTG-48-24

ARTG-60-24 ARTG-72-24

MANUAL

ARMG-24-24 ARMG-36-24 ARMG-48-24

ARMG-60-24 ARMG-72-24

STANDARD FEATURES

- Stainless steel exterior
- 24" cooking depth
- 1" steel griddle plates
- Polished 1" (25mm) thick steel griddle plate provides even heat distribution
- One U-shaped 30,000 BTU/hr. burner for every 12" of griddle surface for even cooking
- Thermostatic griddle has a thermostat for every burner. Temperature range 250F° to 500F°
- Comes in a variety of widths from
- 24", 36", 48", 60" and 72"
- 4" adjustable height legs included
- Two year limited warranty, parts, and labor



Model Shown ARTG-24-24

DESCRIPTION

American Range ARTG or ARMG griddle with a stainless steel sides, front and landing ledge. Polished 1" (25mm) thick steel griddle plate provides even heat distribution and retention. Thermostatic controlled (ARTG) U-shaped 30,000 BTU/hr. burner for every 12" of cooking surface for even cooking. Manual controlled griddle (ARMG) U-shaped 30,000 BTU/hr. burners with manual controls. Sizes are 12", 24", 36", 48", 60", 72" and 24" cooking depth. Standard 4" adjustable legs. Two year parts and labor warranty.

DESIGNED & BUILT IN USA
PROFESSIONAL COOKING EQUIPMENT

A70156 RevB 12102024

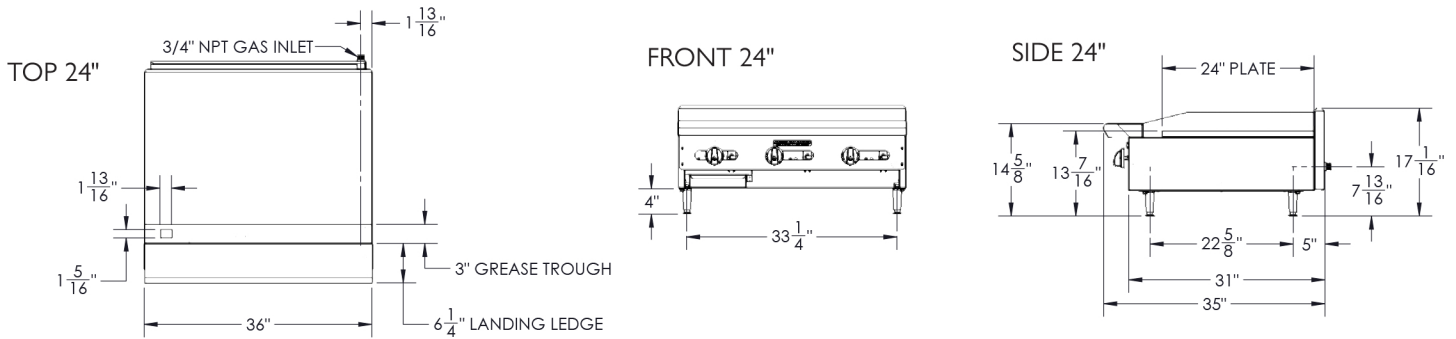
AMERICAN RANGE®

A  Company



13592 Desmond St Pacoima CA 91331
T. 818.897.0808 Toll Free: 888.753.9898
www.AmericanRange.com

THERMOSTATIC/MANUAL GRIDDLE



Manual Griddle 24" Plate	Thermostatic Griddle 24" Plate	Width (mm)	Depth (mm)	Height (mm)	Burners	Total BTU	(kW)	Lbs	(kg)
ARMG-24-24	ARTG-24-24	24" (610)	35" (889)	17" (432)	2	60,000	(18)	280	(127)
ARMG-36-24	ARTG-36-24	36" (914)	35" (889)	17" (432)	3	90,000	(26)	385	(175)
ARMG-48-24	ARTG-48-24	48" (1219)	35" (889)	17" (432)	4	120,000	(35)	490	(222)
ARMG-60-24	ARTG-60-24	60" (1524)	35" (889)	17" (432)	5	150,000	(44)	665	(302)
ARMG-72-24	ARTG-72-24	72" (1829)	35" (889)	17" (432)	6	180,000	(53)	770	(349)

- Specify type of gas and altitude if over 2000 feet.
- Please specify gas type when ordering.

NMFCODE: 25970-2 Class: 85

*Shipping weight includes packaging and is approximate.

COMBUSTIBLE WALL CLEARANCES:

For use only on non-combustible floors. Legs or casters are required, or 2" (51) overhang is required when curb mounted. Clearance from non-combustible walls is 0". When unit is placed next to combustible walls, clearances must exceed 12" (305) from sides, and 4" (102) from rear.

Commercial cooking equipment requires an adequate ventilation system. For additional information, refer to the National Fire Protection Association's standard.

NFPA96 "Vapor Removal from Cooking Equipment."
(NOTE: For North America only)

Subject to change without notice.

NATURAL GAS	MANIFOLD PRESSURE	
	PROPANE GAS	MANIFOLD SIZE
5.0" W.C.	10.0" W.C.	3/4" (19MM)

