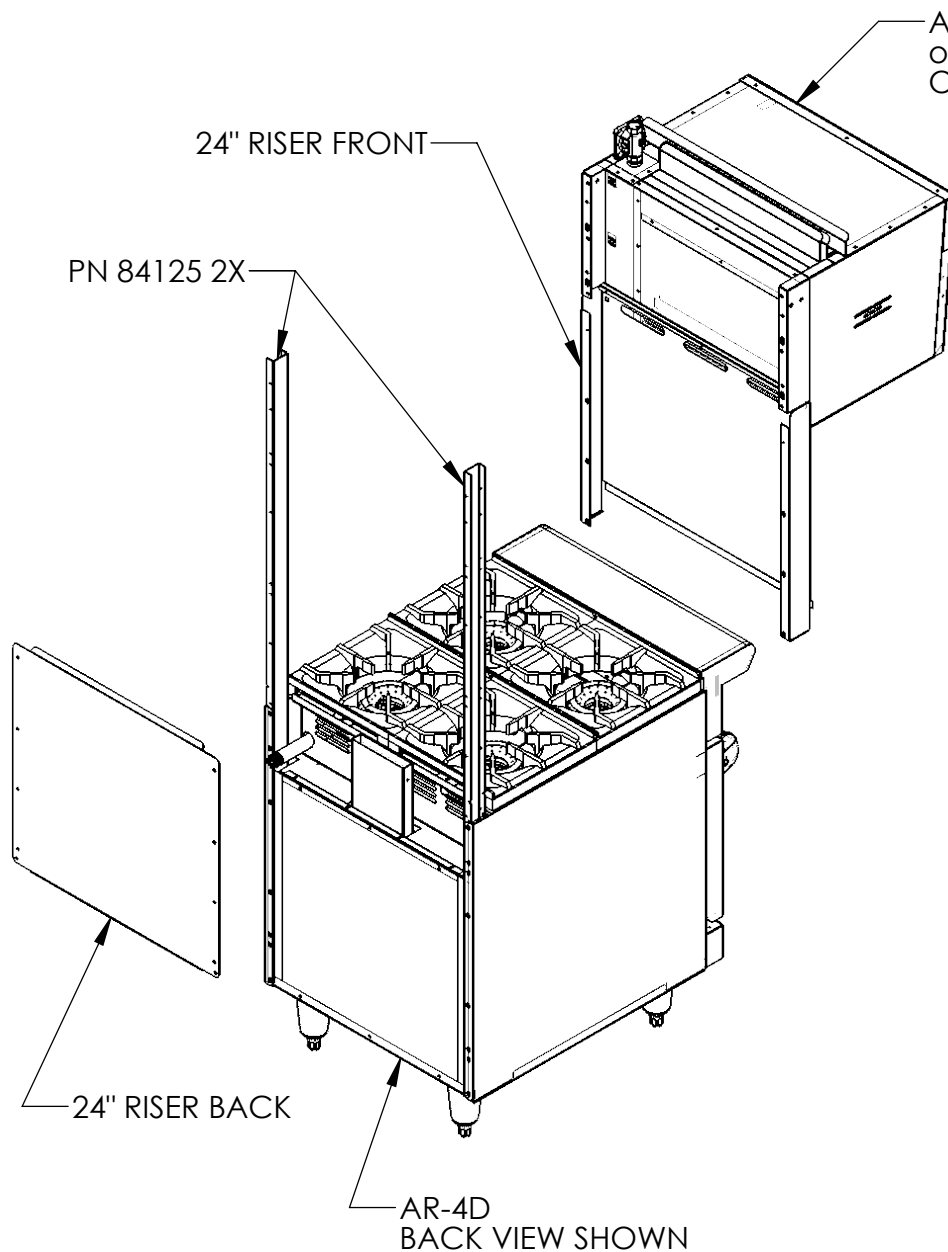
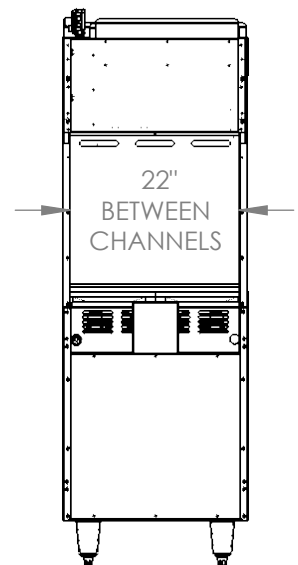


AR-4D (4 OB and 24" Deep Oven) with ARSB-24, ARSM-24, ARCM-24



INSTRUCTIONS:

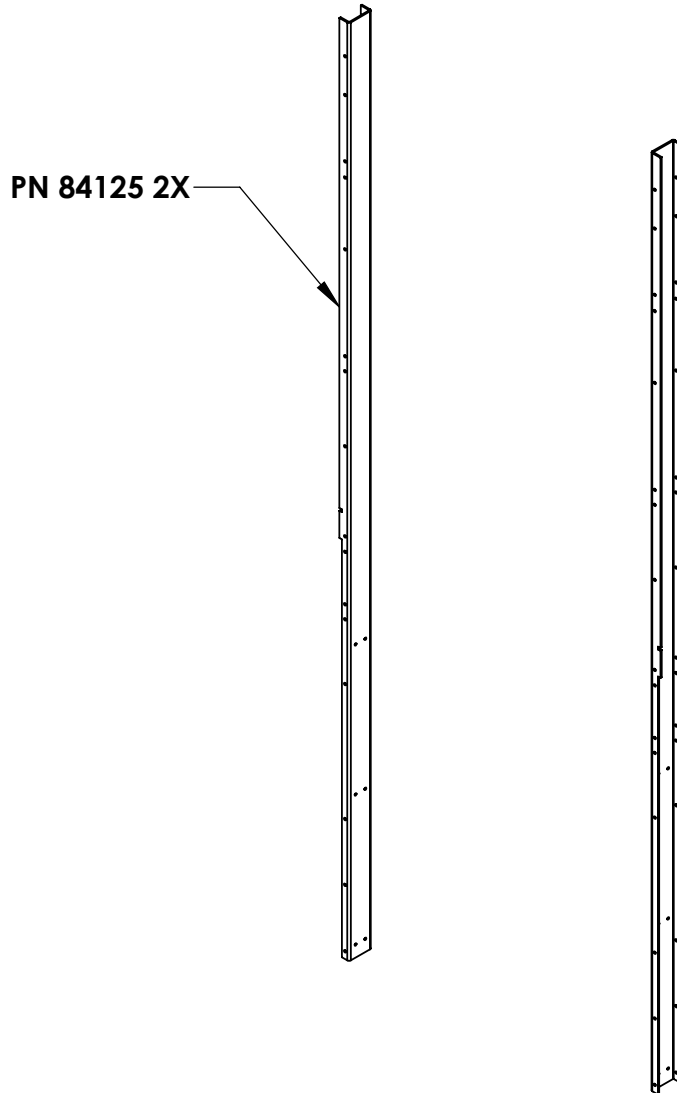
1. UNSCREW HI-RISER ASSEMBLY AND REPLACE SHORTER CHANNEL SYSTEM WITH MOUNTING CHANNEL KIT PROVIDED. FOLLOW ORIENTATION IN DRAWING AND ALIGN WITH HOLES.
2. USE SELF TAPPING SCREWS TO SECURE THE BOTTOM OF THE CHANNELS TO THE UNIT. IF USING KIT A37971 SEE DETAIL A.
3. SLIDE-IN RISER FRONT AND ALIGN WITH CHANNEL HOLES. ATTACH THE RISER BACK AND USE SELF TAPPING SCREWS TO SECURE.
4. SLIDE-IN CHEESEMELTER OR SALAMANDER ONTO CHANNELS AND ALIGN WITH HOLES. USE SELF TAPPING SCREWS TO SECURE.



REAR VIEW SHOWN
(WITHOUT 24" RISER BACK)

AR-4D (4 OB and 24" Deep Oven) with ARSB-24, ARSM-24, ARCM-24 (Kit A37970)

**KIT A37970
WITHOUT L-BRACKETS**



**HARDWARE
REQUIRED**



A42103 (QTY 46)
SCREW, SM
#10-5/8 TEK



A42100 (OPT)
SCREW, SM
#10-1/2 HWH, ZP