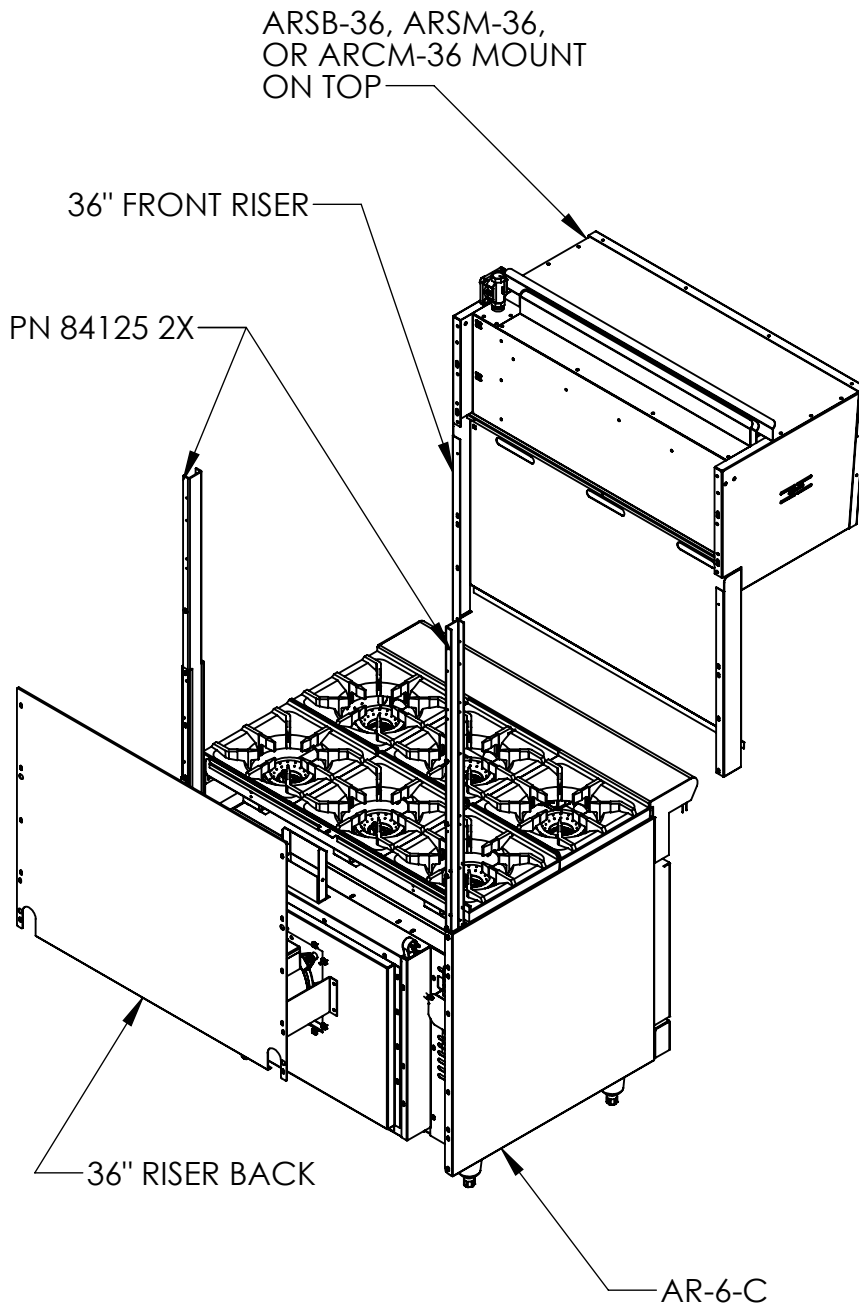


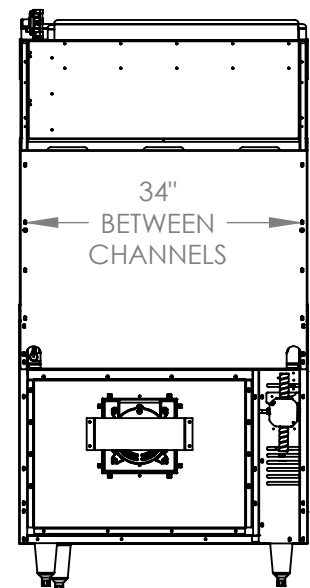
AR-6-36C (Convection) RANGE MOUNT

ARSB-36, ARSM-36, ARCM-36



INSTRUCTIONS:

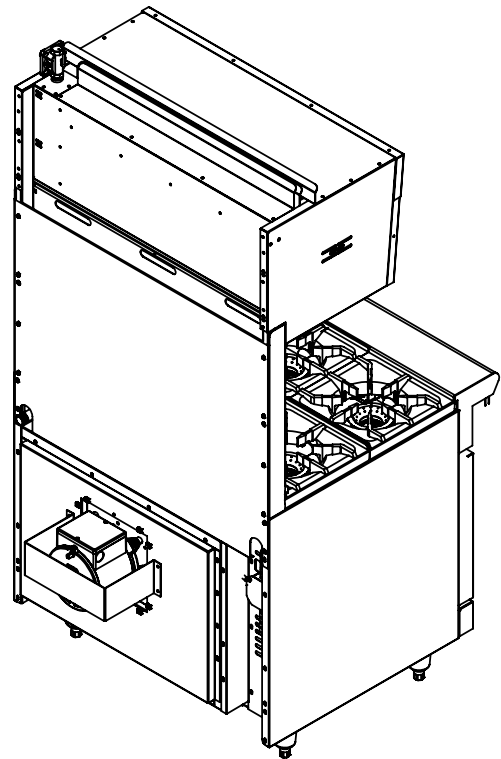
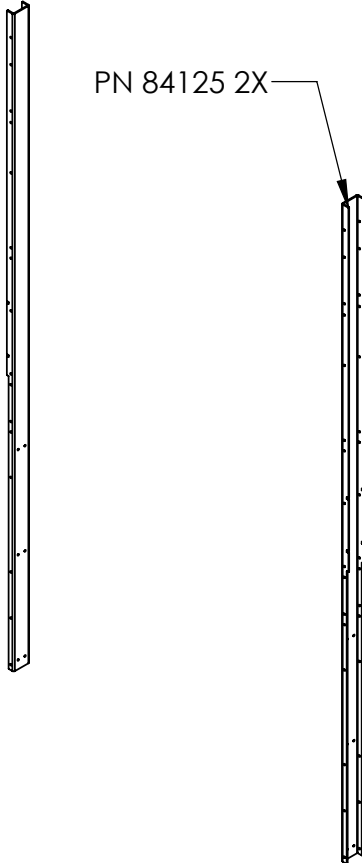
1. UNSCREW HI-RISER ASSEMBLY AND REPLACE SHORTER CHANNEL SYSTEM WITH MOUNTING CHANNEL KIT PROVIDED. FOLLOW ORIENTATION IN DRAWING AND ALIGN WITH HOLES.
2. USE SELF TAPPING SCREWS TO SECURE THE BOTTOM OF THE CHANNELS TO THE UNIT.
3. SLIDE-IN RISER FRONT AND ALIGN WITH CHANNEL HOLES. ATTACH THE RISER BACK AND USE SELF TAPPING SCREWS TO SECURE.
4. SLIDE-IN CHEESEMELTER OR SALAMANDER ONTO CHANNELS AND ALIGN WITH HOLES. USE SELF TAPPING SCREWS TO SECURE.



REAR VIEW SHOWN
(WITHOUT 36" RISER BACK)

AR-6-36C (Convection) RANGE MOUNTS with ARSB-36, ARSM-36, ARCM-36

COMPONENTS REQUIRED:



HARDWARE REQUIRED



A42103 (QTY 29)
SCREW, SM
#10-5/8 TEK