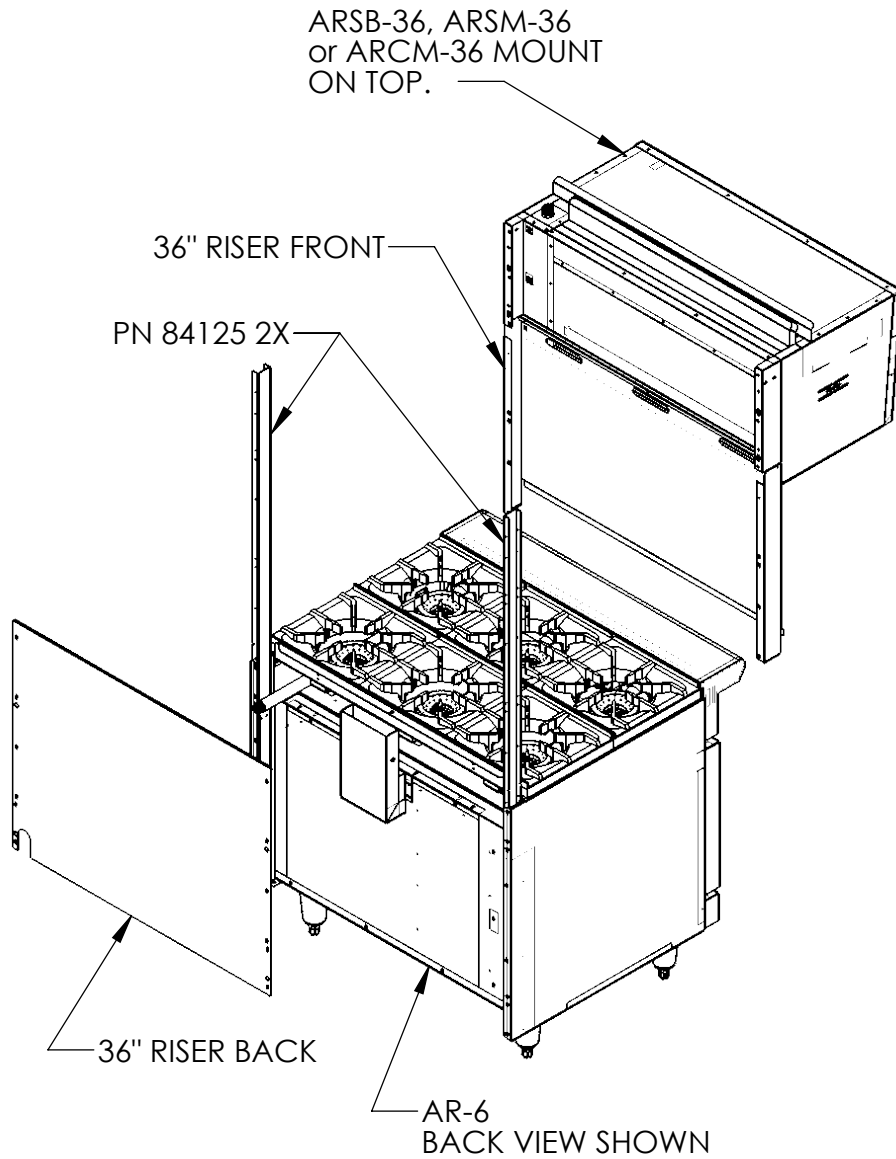
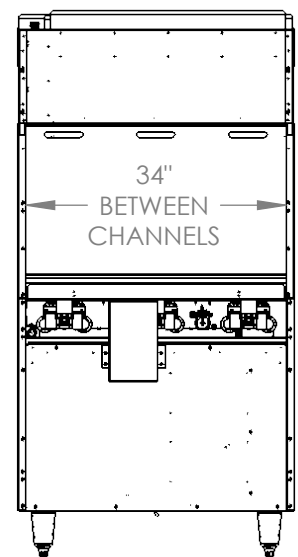


AR-6 (6 Open Burner) with ARSB-36, ARSM-36, ARCM-36 RANGE MOUNTS



INSTRUCTIONS:

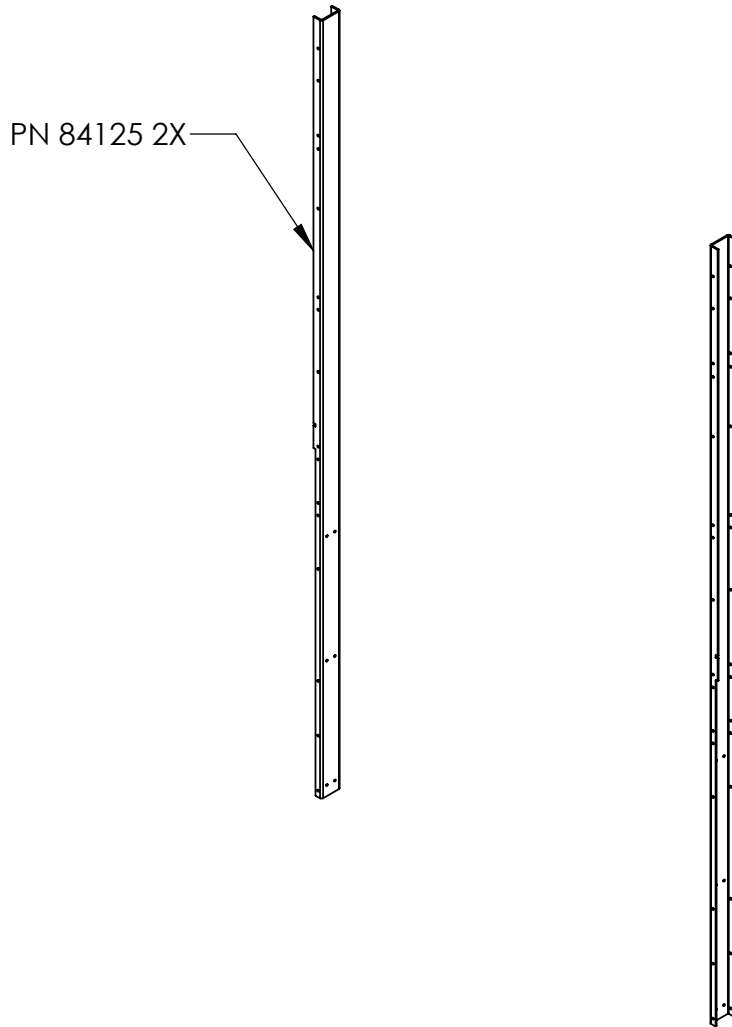
1. UNSCREW HI-RISER ASSEMBLY AND SHORTER CHANNEL SYSTEM WITH MOUNTING CHANNEL KIT PROVIDED. FOLLOW ORIENTATION IN DRAWING AND ALIGN WITH HOLES.
2. USE SELF TAPPING SCREWS TO SECURE THE BOTTOM OF THE CHANNELS TO THE UNIT.
3. SLIDE-IN RISER FRONT AND ALIGN WITH CHANNEL HOLES. ALSO SLIDE-IN RISER BACK AND USE SELF TAPPING SCREWS TO SECURE.
4. SLIDE-IN CHEESEMELTER OR SALAMANDER ONTO CHANNELS AND ALIGN WITH HOLES. USE SELF TAPPING SCREWS TO SECURE.



REAR VIEW SHOWN
(WITHOUT 36" RISER BACK)

AR-6 (6 OB or 36" Griddle) with ARSB-36, ARSM-36, ARCM-36 (Kit A37970)

**KIT A37970
(WITHOUT "L" BRACKET")**



HARDWARE REQUIRED



A42103 (QTY 18)
SCREW, SM
#10-5/8 TEK



A42100 (OPT)
SCREW, SM
#10-1/2 HWH, ZP