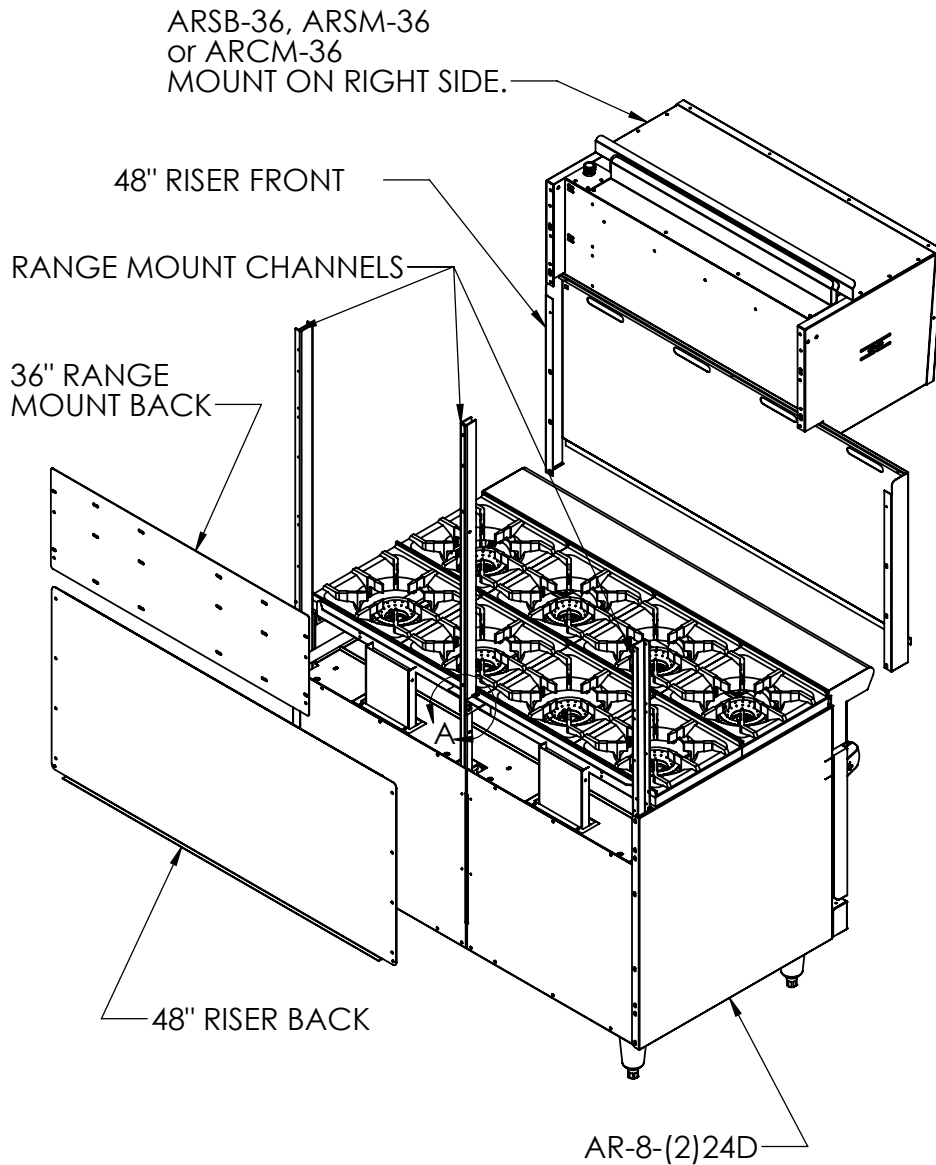
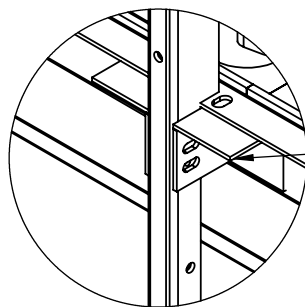


AR-8-48 (Deep Ovens) (2) 24D with ARSB-36, ARSM-36 or ARCM-36 MOUNT ON RIGHT



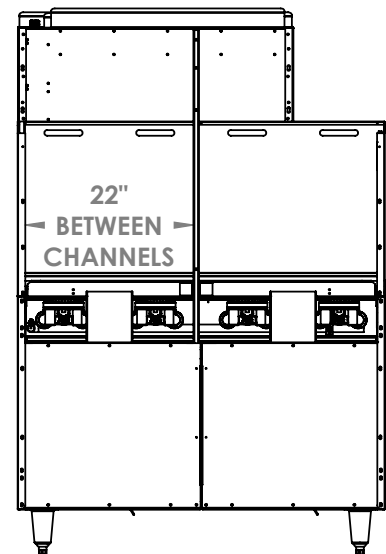
INSTRUCTIONS:

1. UNSCREW HI-RISER ASSEMBLY AND REPLACE SHORTER CHANNEL SYSTEM WITH MOUNTING CHANNEL KIT PROVIDED. FOLLOW ORIENTATION IN DRAWING AND ALIGN WITH HOLES.
2. USE SELF TAPPING SCREWS TO SECURE THE BOTTOM OF THE CHANNELS TO THE UNIT. SEE DETAIL A TO ATTACH MIDDLE CHANNEL SUPPORT.
3. SLIDE-IN RISER FRONT AND ALIGN WITH CHANNEL HOLES. USE SELF TAPPING SCREWS TO ATTACH RISER FRONT AND RISER BACK TOGETHER ONTO THE CHANNELS.
4. SLIDE-IN CHEESEMELTER OR SALAMANDER CAREFULLY ONTO CHANNELS AND ALIGN WITH HOLES. USE THE PROVIDED 36" RANGE MOUNT TO SECURE CHANNEL AND SALAMANDER WITH SELF TAPPING SCREWS.



DETAIL A
SCALE 1 : 4

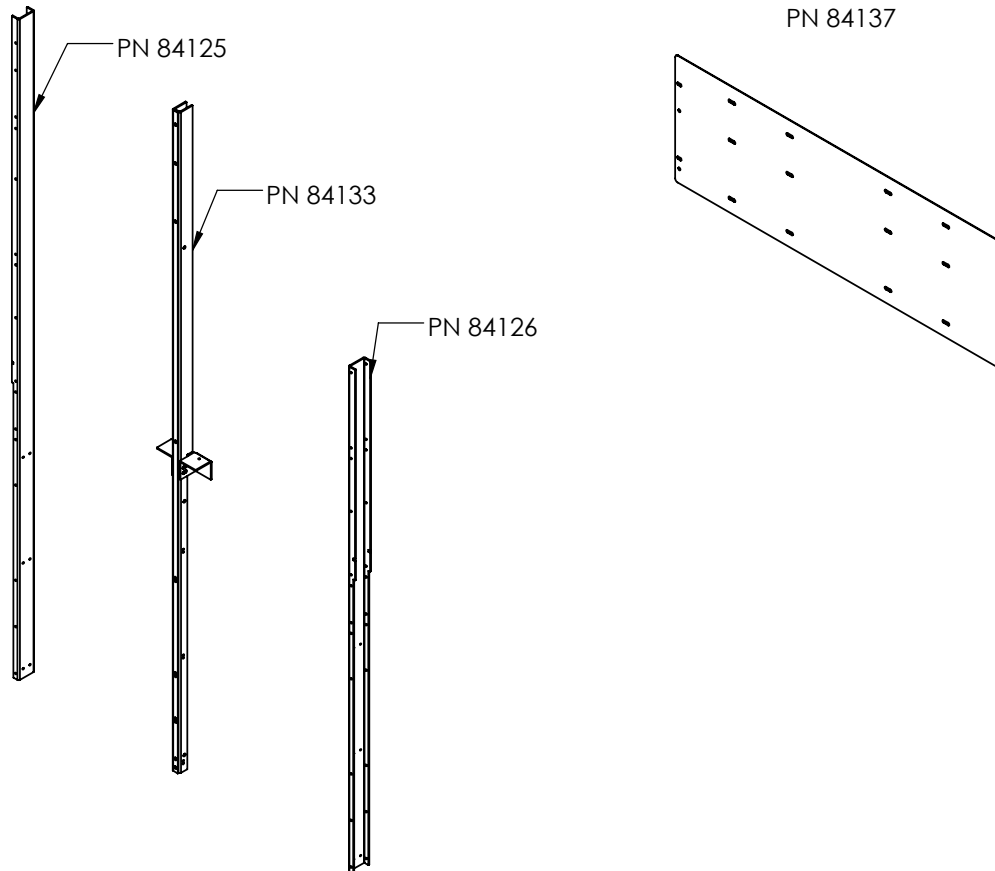
USE SELF TAPPING SCREWS TO FASTEN CHANNEL BRACKETS ONTO REAR GRATE SUPPORT.



REAR VIEW SHOWN
(WITHOUT 48" RISER BACK AND 36" RANGE MOUNT BACK)

AR-8-48 (Deep Ovens) (2) 24D with ARSB-36, ARSM-36 or ARCM-36 MOUNT ON RIGHT

KIT PART NUMBERS



NOTE: THE MIDDLE RANGE SUPPORT ASSEMBLY (PN 84133) IS COMPOSED OF INNER AND OUTER CHANNELS. INCLUDED IS ALSO LEFT AND RIGHT CHANNEL BRACKETS (PN 84128 AND 84127). ENSURE THAT INNER AND OUTER CHANNELS ARE SECURED TOGETHER BEFORE MOUNTING.

HARDWARE REQUIRED



A42103 (QTY 46)
SCREW, SM
#10-5/8 TEK



A42100 (OPT)
SCREW, SM
#10-1/2 HWH, ZP