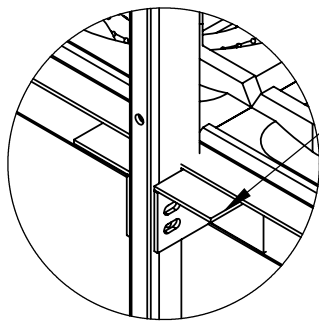
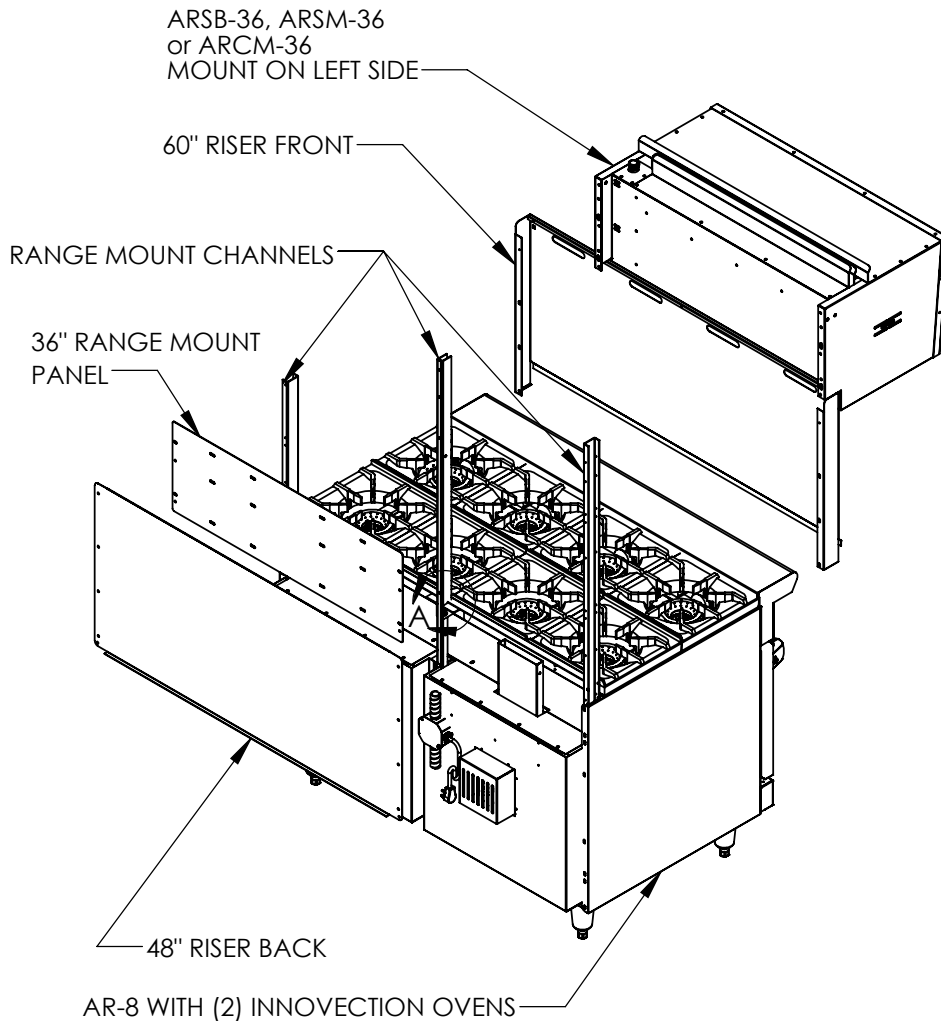


# AR-8-NN (48" Unit) with ARSB-36, ARSM-36 or ARCM-36 ON LEFT

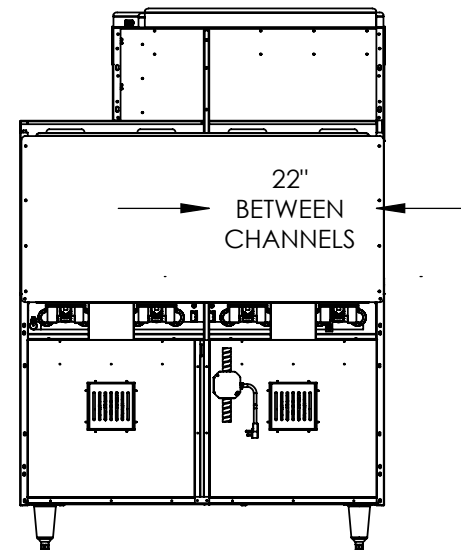


USE SELF-TAPPING SCREWS  
TO FASTEN CHANNEL  
BRACKETS ONTO REAR  
GRATE SUPPORT.

DETAIL A  
SCALE 1 : 4

## INSTRUCTION:

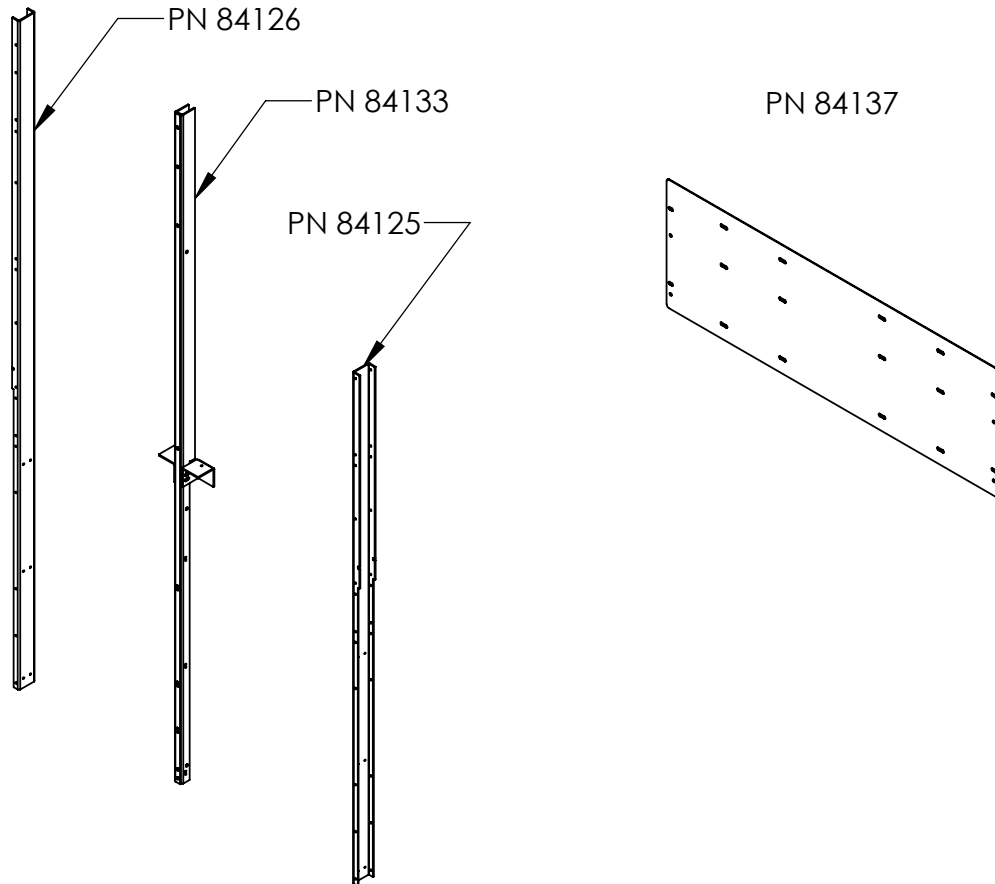
1. UNSCREW HI-RISER ASSEMBLY AND REPLACE SHORTER CHANNEL SYSTEM WITH MOUNTING CHANNEL KIT PROVIDED. FOLLOW ORIENTATION IN DRAWING AND ALIGN WITH HOLES.
2. USE SELF TAPPING SCREWS TO SECURE THE BOTTOM OF THE CHANNELS TO THE UNIT. SEE DETAIL A TO ATTACH MIDDLE CHANNEL SUPPORT.
3. SLIDE-IN RISER FRONT AND ALIGN WITH CHANNEL HOLES. PLACE RISER BACK AND USE SELF TAPPING SCREWS TO ATTACH RISER FRONT AND RISER BACK TOGETHER ONTO THE CHANNEL.
4. SLIDE IN CHEESEMELTER OR SALAMANDER CAREFULLY ONTO CHANNELS AND ALIGN WITH HOLES. USE THE PROVIDED 36" RANGE MOUNT TO SECURE CHANNEL AND CHEESEMELTER HOLES WITH SELF TAPPING SCREWS.



REAR VIEW SHOWN  
(WITHOUT 48" RISER BACK AND  
36" RANGE MOUNT BACK)

# AR-8-NN (48" Unit) with ARSB-36, ARSM-36 or ARCM-36 ON LEFT (Kit A37964)

## KIT PART NUMBERS



NOTE: THE MIDDLE RANGE SUPPORT ASSEMBLY (PN 84133), IS COMPOSED OF INNER AND OUTER CHANNELS. INCLUDED SHOULD ALSO BE A LEFT AND RIGHT CHANNEL BRACKETS (PN 84128, AND 84127). ENSURE CHANNELS ARE SECURED TOGETHER BEFORE MOUNTING.

### HARDWARE REQUIRED



A42103 (QTY 22)  
SCREW, SM  
#10-5/8 TEK