

AMERICAN RANGE®

A  Company

Project _____

Item # _____

Quantity _____

RADIANT CHARBROILERS

GAS TYPE: NATURAL LP



- ARSRB-24
- ARSRB-36
- ARSRB-48
- ARSRB-60
- ARSRB-72

STANDARD FEATURES

- Stainless steel front, sides, landing ledge, and grease tray
- 15,000 BTU/hr. burners spaced 6" apart with individual burner controls
- Standing pilots ignition system
- Heavy duty cast iron radiants provide attractive grill marks
- Heat deflectors to drive heat up for better cooking performance, and to keep the grease pan cool
- Stainless steel 3 3/4" side splash, and 8" back splash
- 4" adjustable legs included
- Two year limited warranty, parts, and labor

AVAILABLE OPTIONS

- Stainless steel stand.
- Swivel casters (set of four – two with front brakes).



Model Shown ARSRB-36

DESCRIPTION

American Range ARSRB Series Charbroilers

Countertop gas char-broiler American Range No._____. Stainless steel front, sides, landing ledge, and grease tray. 12 9/16" cooking height on 4" adjustable inset legs. 15,000 BTU/hr. burners spaced 6" apart with individual burner controls and a standing pilot ignition system. Heavy duty cast iron radiants provide attractive grill marks. Heat deflectors to drive heat up for better cooking performance and to keep the grease pan cool. 8" stainless steel back splash and 3 3/4" side splash. 3/4" rear gas connection and gas pressure regulator. Select natural gas or liquid propane. Two year limited warranty for parts and labor.



DESIGNED & BUILT IN USA
PROFESSIONAL COOKING EQUIPMENT

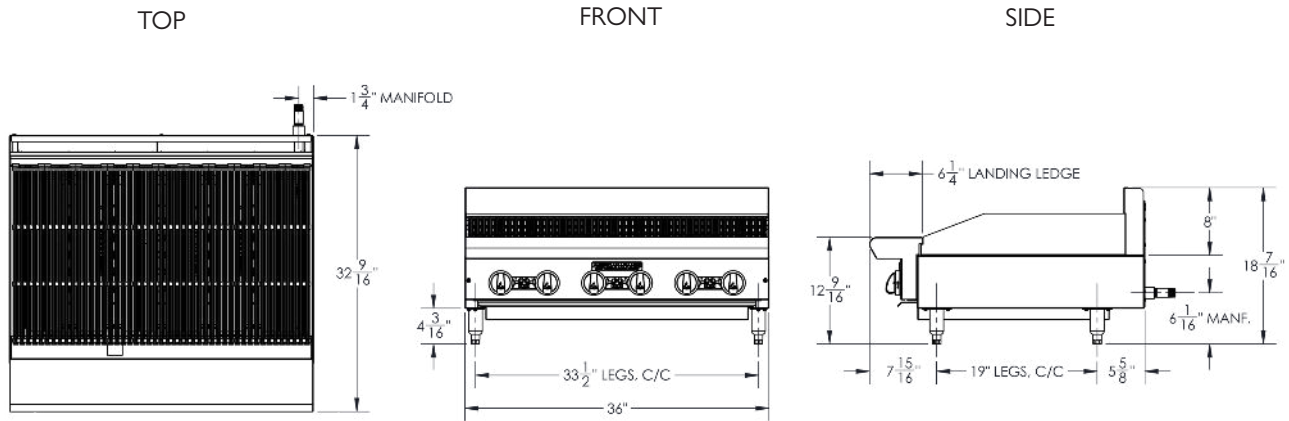
A70258 RevC 08042023

AMERICAN RANGE®

A  Company

13592 Desmond St Pacoima CA 91331
T. 818.897.0808 Toll Free: 888.753.9898
www.AmericanRange.com

RADIANT CHARBROILER



Model	Width (mm)	Depth (mm)	Height (mm)	Burners	Total BTU	(kW)	Crated Dimension (mm)	Shipping Weight	
								Lbs	(kg)
ARSRB-24	24" (610)	30" (762)	12 9/16" (319)	4	60,000	(18)	29" (737) x 36" (914) x 18" (457)	210	(95)
ARSRB-36	36" (914)	30" (762)	12 9/16" (319)	6	90,000	(26)	41" (1041) x 36" (914) x 18" (457)	285	(129)
ARSRB-48	48" (1219)	30" (762)	12 9/16" (319)	8	120,000	(35)	53" (1346) x 36" (914) x 18" (457)	363	(165)
ARSRB-60	60" (1524)	30" (762)	12 9/16" (319)	10	150,000	(44)	65" (1651) x 36" (914) x 18" (457)	400	(181)
ARSRB-72	72" (1829)	30" (762)	12 9/16" (319)	12	180,000	(53)	77" (1956) x 36" (914) x 18" (457)	560	(254)

- Specify type of gas and altitude if over 2000 feet.
- Please specify gas type when ordering.

COMBUSTIBLE WALL CLEARANCES:

For use only on non-combustible floors. Legs or casters are required, or 2" (51) overhang is required when curb mounted. Clearance from non-combustible walls is 0". When unit is placed next to combustibile walls, clearances must exceed 12" (305) from sides, and 4" (102) from rear.

Commercial cooking equipment requires an adequate ventilation system. For additional information, refer to the National Fire Protection Association's standard.

NFPA96 "Vapor Removal from Cooking Equipment."
(NOTE: For North America only)

Subject to change without notice.

NMFCCODE: 25970-2 Class: 85

*Shipping weight includes packaging and is approximate.

NATURAL GAS	MANIFOLD PRESSURE	
	PROPANE GAS	MANIFOLD SIZE
5.0" W.C.	10.0" W.C.	3/4" (19MM)



A70258 RevC 08042023



13592 Desmond St Pacoima CA 91331
T. 818.897.0808 Toll Free: 888.753.9898
www.AmericanRange.com